

Intelligent Tethered EV Charger 22kW AC ICSWT22C



The ICSWT22C is suitable for Commercial charging.

Designed with the installer in mind, installation time is extremely quick, on average only 30 minutes.

22kW fast AC charging.

Up to 90 miles charging range per hour.

Three phase 400VAC.

No earth rod required (on TN-C-S PME system).

3G/4G sim, ethernet and WiFi ready.

Integral Type A RCD with 6mA RDC-DD.

RFID authentication.

2.8" LCD display.

Full OCPP 1.6J profiles.

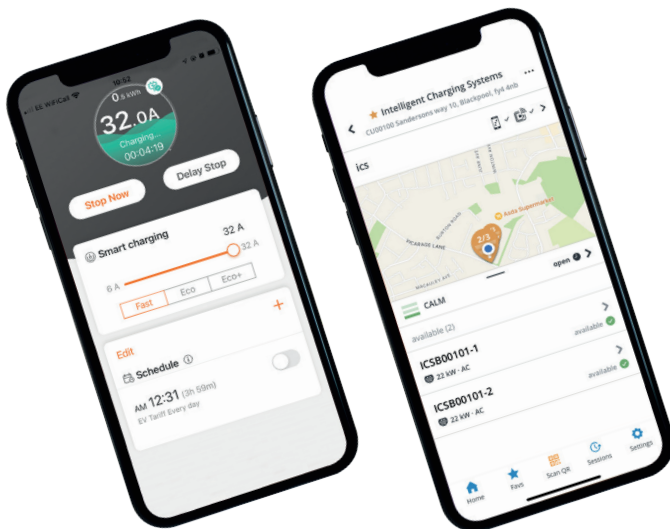
Automatic minor fault recovery with configurable manual reset for RCD & Earth fault.

All in one solution.

iCS2.0 smart charging software compatible.

iCS2.0Lite included for smart phone configuration and app control.

Supplied with 2x RFID Cards**



Commercial



Home



No Earth Rod



Smartphone
App



22KW



iCS2.0



Warranty 3
years



Connect with iCS
The only link you'll need
for tech support, socials and lots more!
@icsintelligentchargingsystems



Intelligent Tethered EV Charger 22kW AC ICSWT22C



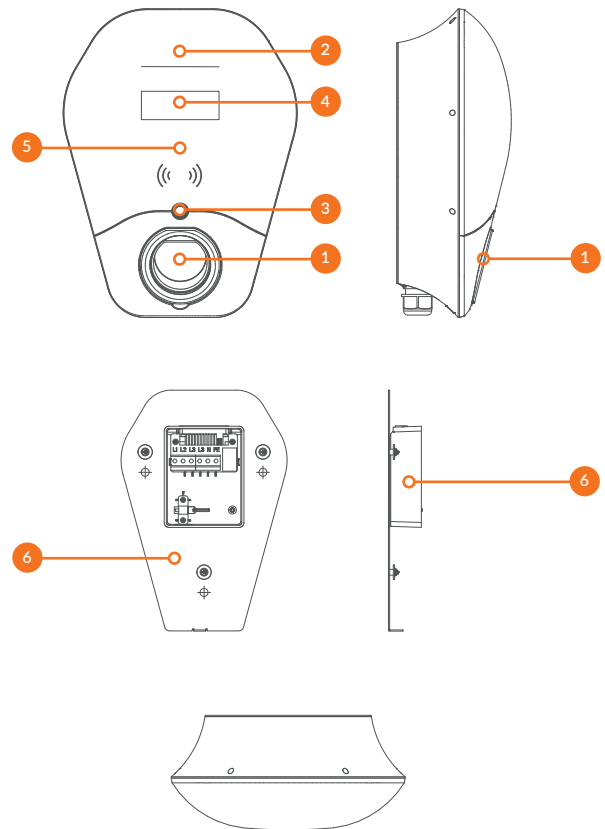
Specification

Specification	
Power Input	
Input Rating	400VAC + 20%, 32A
Frequency	50/60Hz
Standby Power	<5w
Power Output	
Output Rating	Three phase 22kw, 32A
Protection	
Over Current protection	Power output is terminated upon detection of overcurrent 10%
Internal Residual Current Detection	Integral Type A RCD with 6mA RDC-DD
Output Protection	Power output is terminated upon detection of charging connector plug-out
Electrical Protection	Over current, short circuit, over voltage, under voltage, ground fault, lightning surge, over temperature protection
Energy Meter	Meter IC
Current Detection	
PME	PME earth fault monitoring compliant with BS7671 regulation 722.411.4.1
Function & User Interface	
Display	2.8" LCD display
Status Indicators	User Customisable
User Authentication	RFID reader (ISO/IEC 15693 and 14443A/B)
Buttons/Switches	Configurable physical button
Network Interface	Ethernet, 2.4G WiFi, 4G smart internet connection, hot spot mode
Charging protocol	Mode 3
Environment	
Operating temperature	-30°C to 50°C
Humidity	5% - 95% without condensation
Ingress Protection	IP55

** RFID cards compatible for Offline & iCS2.0Lite use only, for subscription use, RFID cards to be purchased from ICS.

Specification

Specification	
Mechanical	
Charging Interface	5m lead with Type 2 plug (IEC 62196)
Mounting Type	Wall or Post (Post supplied separately)
Dimension (W x H x D)	269 x 360 x 146 mm
Net Weight	XXXXX
Regulation & Certification	
Certificate	CE, IEC61851-1
OCPP	Full OCPP 1.6J support
Accessories	
RFID Card	ICS2.0UC
Floor Mount Post	ICSFP1, ICSFP2
EV Signage	ICSEVS1, ICSEVS2, ICSEVS2
EV Charging Cables	N/A



Connect with iCS
The only link you'll need
for tech support, socials and lots more!
@icsintelligentchargingsystems

Email: info@intelligentchargingsystems.co.uk

www.intelligentchargingsystems.co.uk

iCS_ICSWT22C_Data_Sheet_Rev03

No	Item
1	Charging Plug Holder
2	LCD Display Screen
3	Configurable Button
4	LED Indication
5	RFID Reader
6	Back Plate