

# Intelligent EV Charger 7kW AC ICSH7D



The ICSH7D is suitable for home charging.

Designed with the installer in mind, installation time is extremely quick, on average only 30 minutes.

7.2kW fast AC charging.

Up to 30 miles charging range per hour.

Single phase 230VAC.

No earth rod required (on TN-C-S PME system).

True OCPP 1.6J protocols.

Automatic minor fault recovery with configurable manual reset for RCD & Earth fault.

All in one solution.

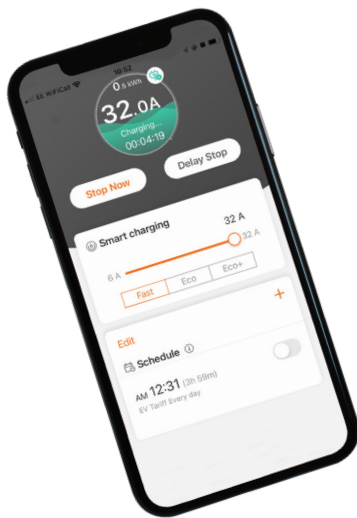
iCS2.0Lite included for smart phone configuration and app control.

Built-in load management.

Wi-Fi and Bluetooth Connectivity

Built-in Residual Current Detection, 30mA Type A to IEC61008 and 6mA DC RDC-DD device to IEC62955.

Compatible with Solar & Battery Storage.



Home



No Earth Rod



Smartphone  
App



7KW



iCS2.0  
Lite



Warranty 5  
years



## Connect with iCS

The only link you'll need  
for tech support, socials and lots more!  
[@icsintelligentchargingsystems](https://www.instagram.com/icsintelligentchargingsystems)

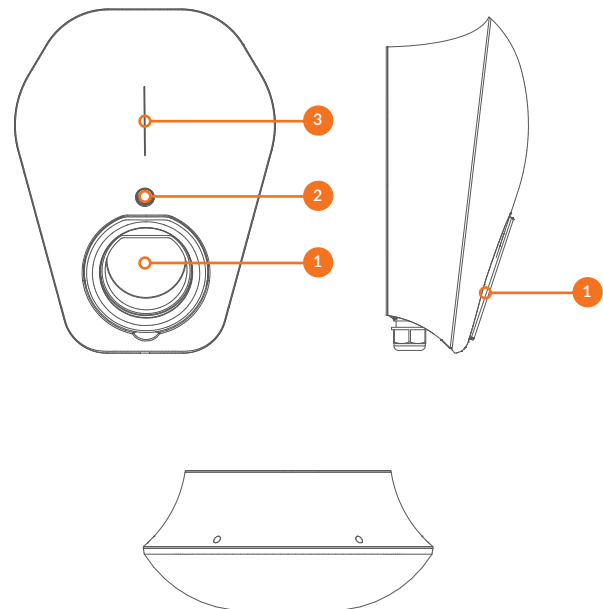
Office  
for Zero  
Emission  
Vehicles



# Intelligent EV Charger 7kW AC ICSH7D

Specification	
<b>Power Input</b>	
Input Rating	230VAC + 20%, 32A
Frequency	50/60Hz
Standby Power	<5w
<b>Power Output</b>	
Output Rating	Single phase 7.2kw, 32A
<b>Protection</b>	
Over Current protection	Power output is terminated upon detection of overcurrent 10%
Internal Residual Current Detection	Integral Type A RCD with 6mA RDC-DD
Output Protection	Power output is terminated upon detection of charging connector plug-out
Electrical Protection	Over current, short circuit, over voltage, under voltage, ground fault, lightning surge, over temperature protection
Energy Meter	Meter IC
<b>PEN Fault Monitoring</b>	
PME	PME earth fault monitoring compliant with BS7671 regulation 722.411.4.1
<b>Function &amp; User Interface</b>	
Status Indicators	User Customizable
User Authentication	App control
Buttons/Switches	Configurable physical button
Network Interface	Dual band 2.4G & 5G WiFi internet connection, hot spot mode, bluetooth
Charging protocol	Mode 3
<b>Environment</b>	
Operating temperature	-30°C to 50°C
Humidity	5% - 95% without condensation
Ingress Protection	IP55

Specification	
<b>Mechanical</b>	
Charging Interface	Type 2 socket (IEC 62196)
Mounting Type	Wall
Dimension (W x H x D)	208mm x 288mm x 128mm
<b>Regulation &amp; Certification</b>	
Certificate	CE, IEC61851-1
OCPP	Full OCPP 1.6J support
<b>Accessories</b>	
EV Charging Cables	ICSL5 and ICSL10 (5m + 10m)



No	Item
1	Charging Socket
2	Configurable Button
3	LED Indication



**Connect with iCS**  
The only link you'll need  
for tech support, socials and lots more!  
@icsintelligentchargingsystems

Email: [info@intelligentchargingsystems.co.uk](mailto:info@intelligentchargingsystems.co.uk)

[www.intelligentchargingsystems.co.uk](http://www.intelligentchargingsystems.co.uk)

iCS\_ICSH7D\_Data\_Sheet\_Rev03